

REV/ISS	AMENDMENTS	DRAWN	CHKD	D.O.	APVD	DATE
07G	MIC & BATT SEALS TO SIGNAL .INC.	CCO	No.1392-003	TS		21-09-99
07F	CHGD SPRING PINS TO 356-01077-00	CCO	No.1392-002	TS		15-09-99
07E	CHANGED PASTE FOR SMALL TCXO			BRD		31-05-99
07D	CHANGED CAN NAMES TO MATCH BAAN			BRD		19-04-99
07C	ROTATED TANT C364 180 DEGS00185			BRD		11-03-99
07C	CHANGED PASTE ON PA & PROB PINS			BRD		19-02-99
05	MOREUPDATES			DBH		
04	UPDATED AND MOVED AERIAL SOCKET			MAJ		
03 B	UPDATED VALUES ADDED CANS TO PLA			MAJ		

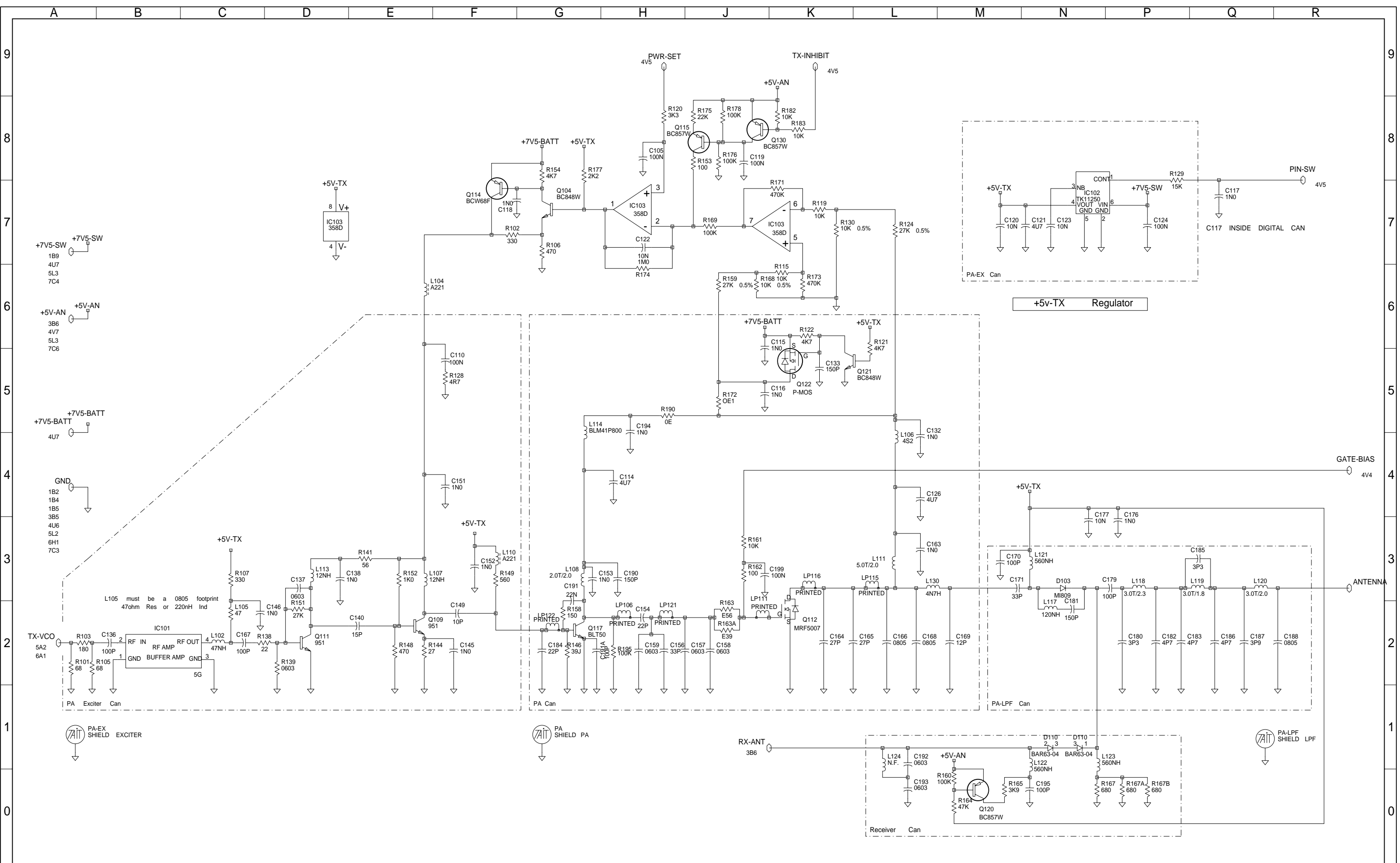


© TAIT ELECTRONICS

ORCA :TP010-5122 400-440MHZ SYSTEM DIAGRAM

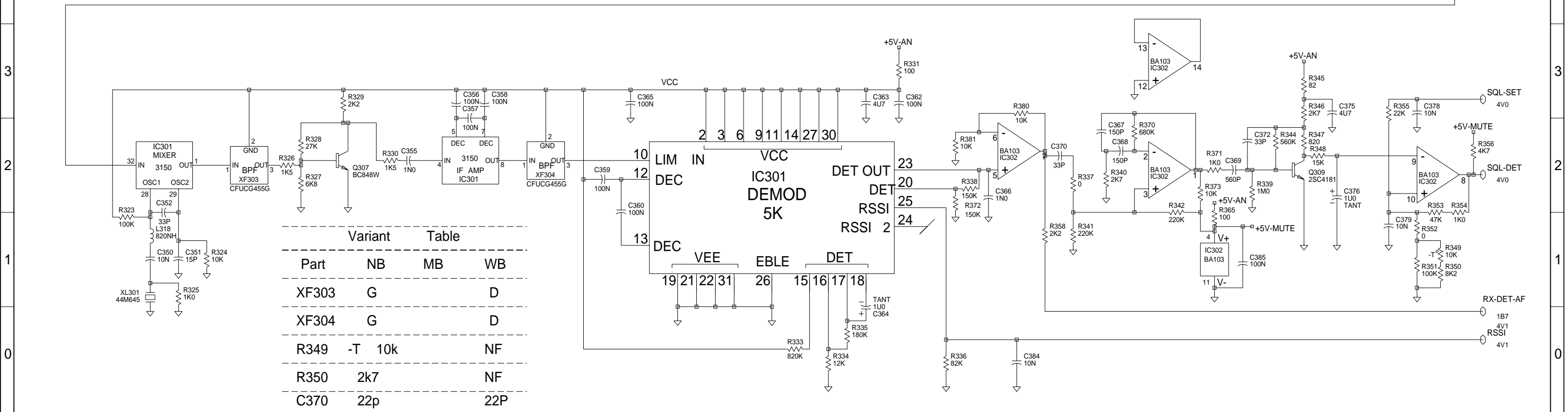
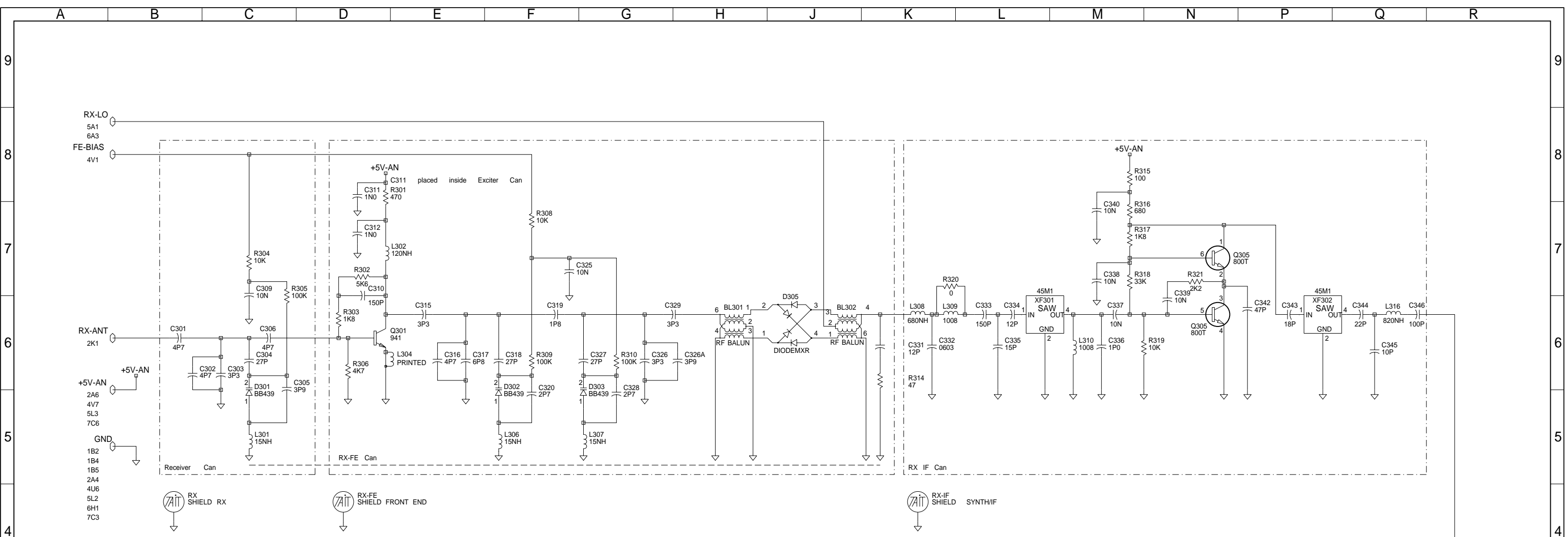
IPN: 220-01392-07 ISSUE: G ID: 2.S.C. 1

PROJECT: ORCA DESIGNER: BRD/TS FILE NAME: 139207f DATE: 21-Sep-99 NO.SHEETS: 7



© TAIT ELECTRONICS  
 ORCA :TP010-5122 400-440MHZ  
 POWER AMPLIFIER  
 IPN: 220-01392-07 ISSUE: G ID: 2.S.C. 2  
 PROJECT: ORCA DESIGNER: BRD/TS FILE NAME: 139207f FILE DATE: 21-Sep-99 NO.SHEETS: 7

REV/ISS	AMENDMENTS	DRAWN	CHKD	D.O.	APVD	DATE
A						

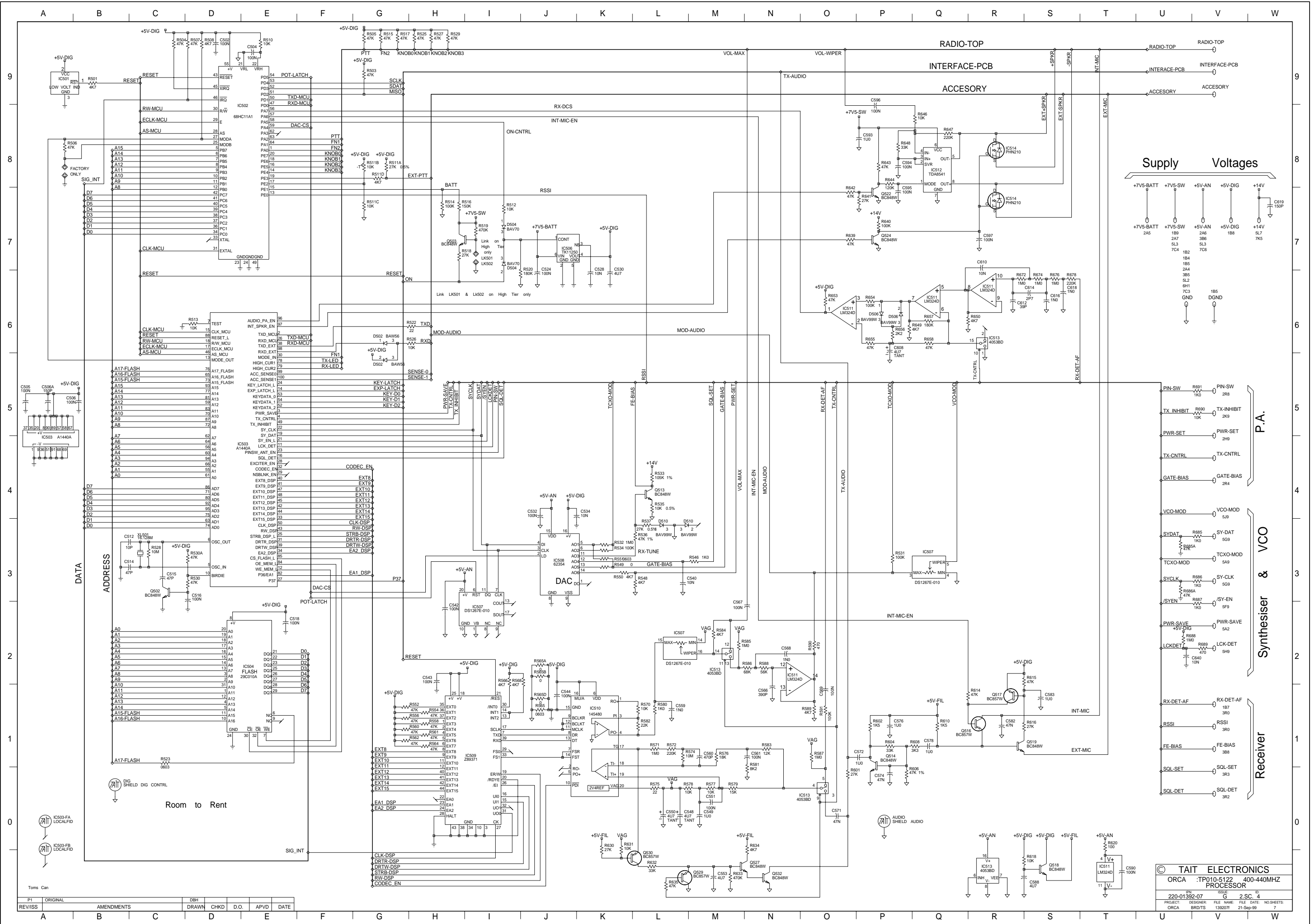


Variant Table

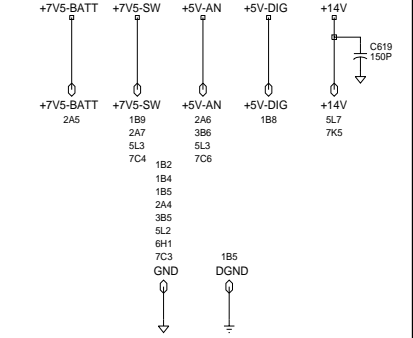
Part	NB	MB	WB
XF303	G		D
XF304	G		D
R349	-T	10k	NF
R350		2k7	NF
C370		22p	22P
C369		330P	330P

TAIT ELECTRONICS  
 ORCA :TP010-5122 400-440MHZ RECEIVER  
 IPN: 220-01392-07 ISSUE: G ID: 2.S.C. 3  
 PROJECT: ORCA DESIGNER: BRD/TS FILE NAME: 139207f DATE: 21-Sep-99 NO.SHEETS: 7

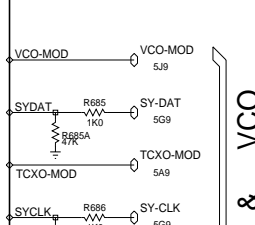
REV/ISS	AMENDMENTS	DRAWN	CHKD	D.O.	APVD	DATE
A						



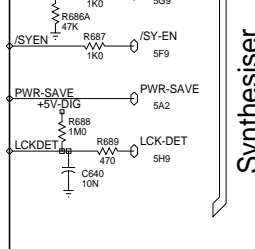
### Supply Voltages



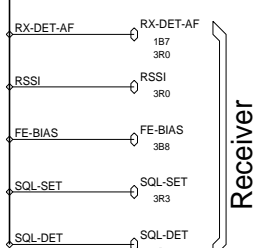
### P.A.



### Synthesiser & VCO



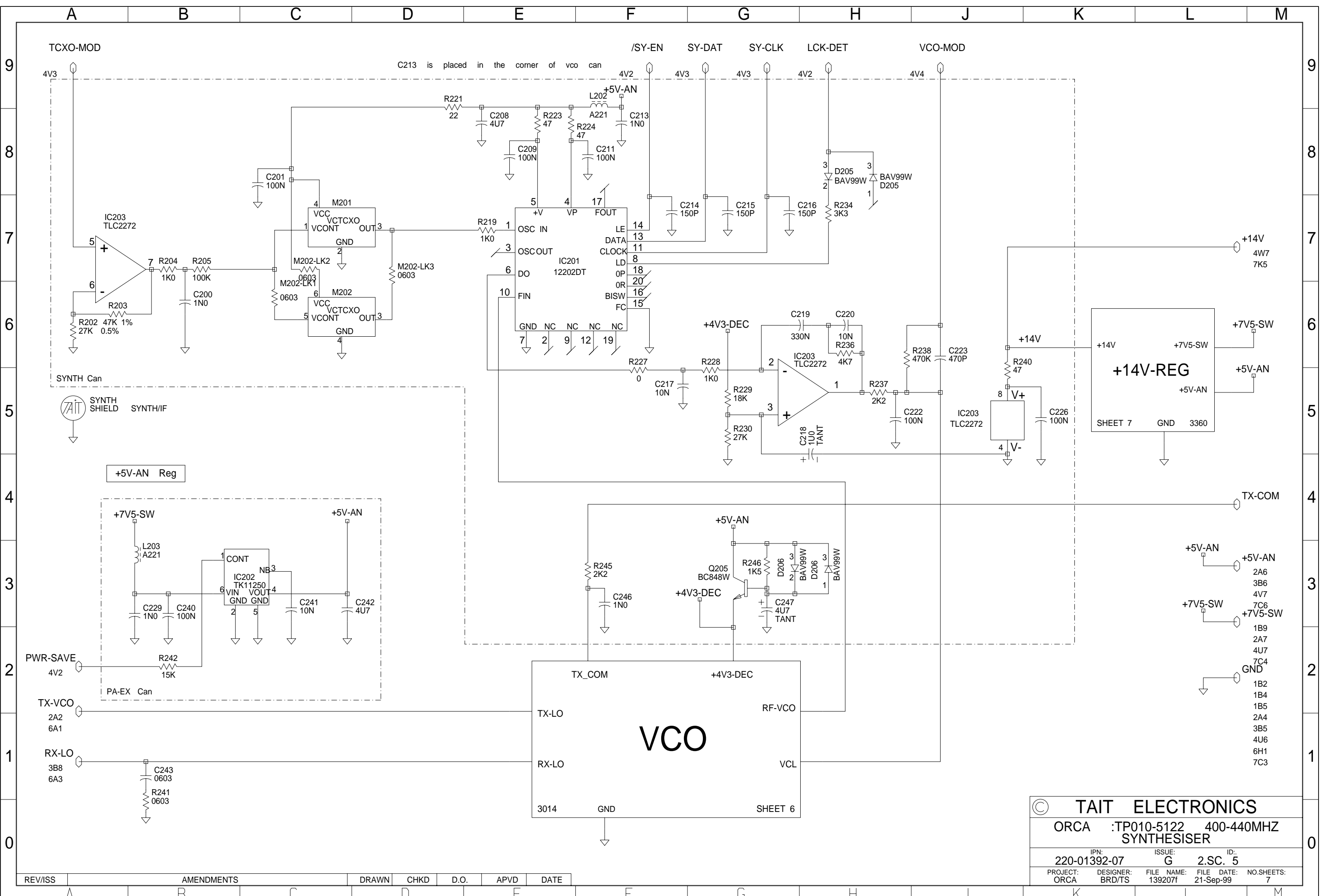
### Receiver



Room to Rent

REV/ISS	ORIGINAL	AMENDMENTS	DRAWN	CHKD	D.O.	APV/D	DATE
P1							

© TAIT ELECTRONICS  
 ORCA :TP010-5122 400-440MHZ  
 PROCESSOR  
 220-01392-07 G 2 SC 4  
 PRODUCT DESIGNER FILE NAME FILE DATE NO SHEETS  
 ORCA BRD/TX 1392071 21-Sep-99 7



C213 is placed in the corner of vco can

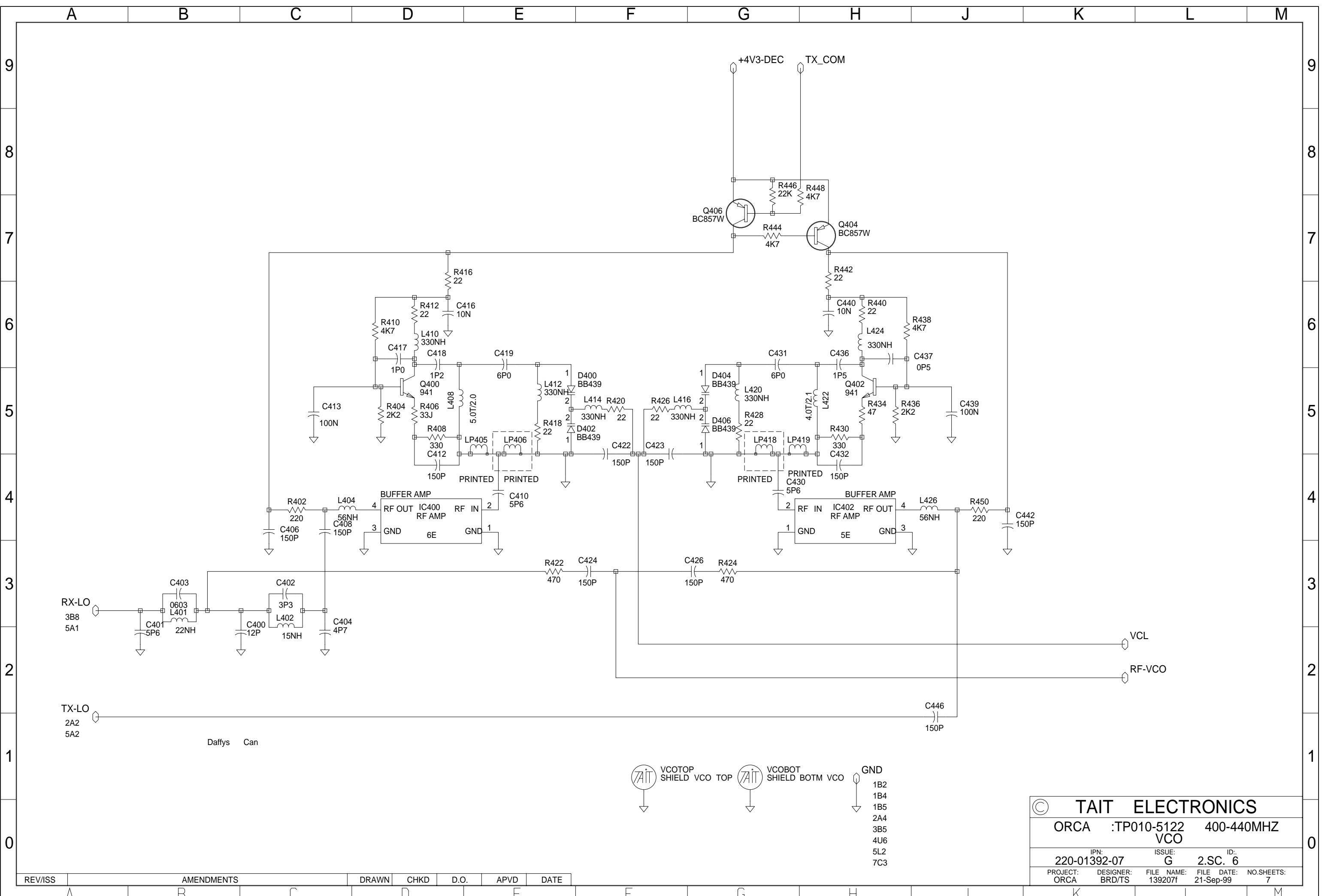
**+14V-REG**  
SHEET 7  
GND 3360

**VCO**  
SHEET 6  
3014 GND

© TAIT ELECTRONICS				
ORCA :TP010-5122 400-440MHZ SYNTHESISER				
IPN:	ISSUE:	ID:		
220-01392-07	G	2.SC. 5		
PROJECT:	DESIGNER:	FILE NAME:	FILE DATE:	NO.SHEETS:
ORCA	BRD/TS	139207f	21-Sep-99	7

REV/ISS	AMENDMENTS	DRAWN	CHKD	D.O.	APVD	DATE

- +5V-AN 2A6
- +5V-AN 3B6
- 4V7 4V7
- +7V5-SW 7C6
- +7V5-SW 7C4
- GND 1B9
- 1B2 1B2
- 1B4 1B4
- 1B5 1B5
- 2A4 2A4
- 3B5 3B5
- 4U6 4U6
- 6H1 6H1
- 7C3 7C3



© TAIT ELECTRONICS

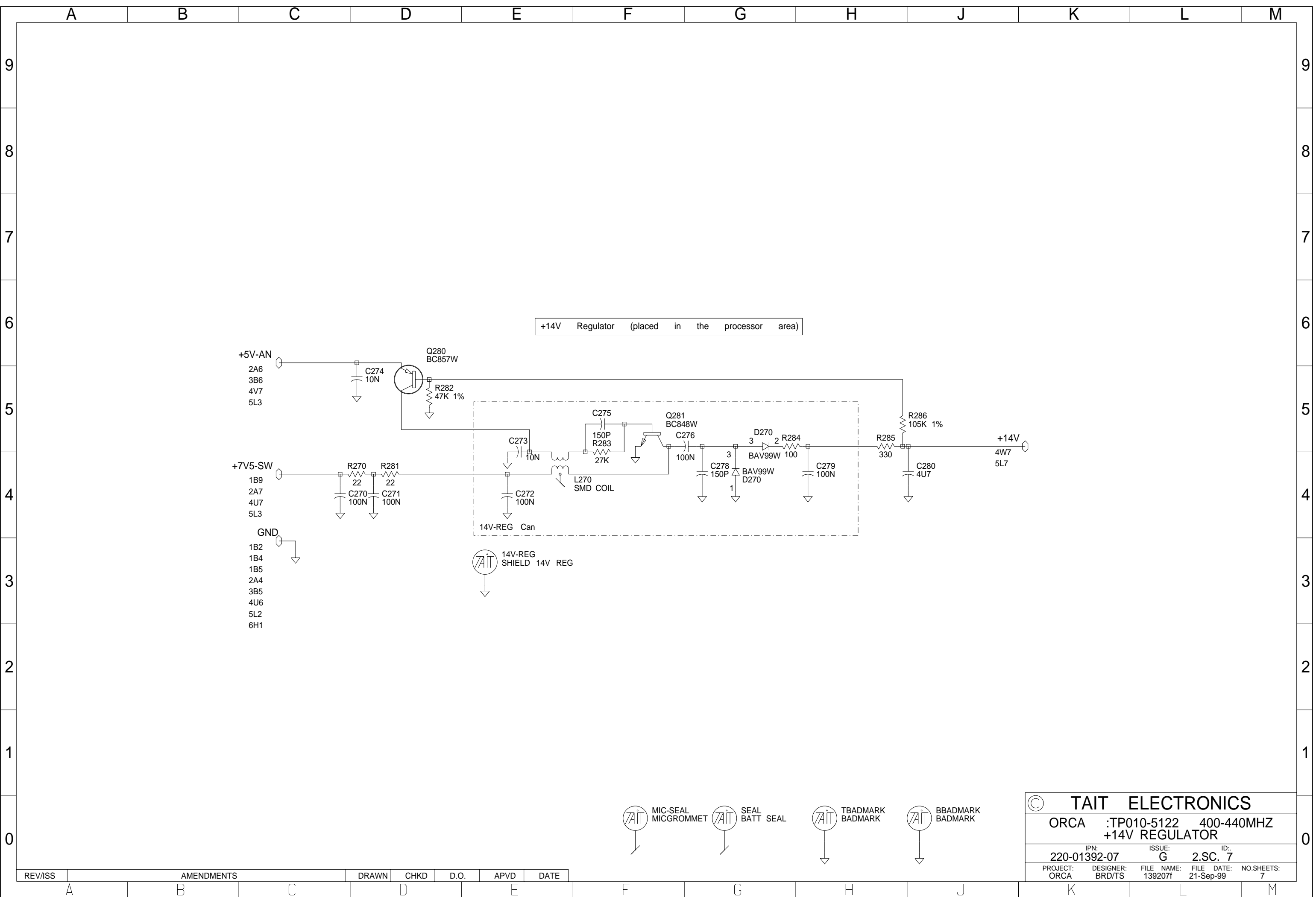
ORCA :TP010-5122 400-440MHZ  
VCO

IPN: 220-01392-07 ISSUE: G ID: 2.SC. 6

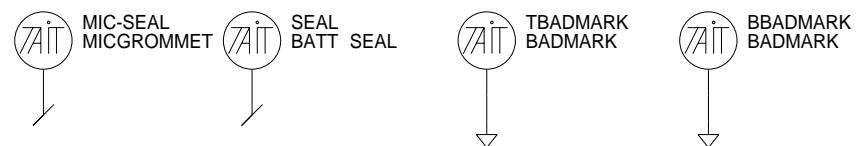
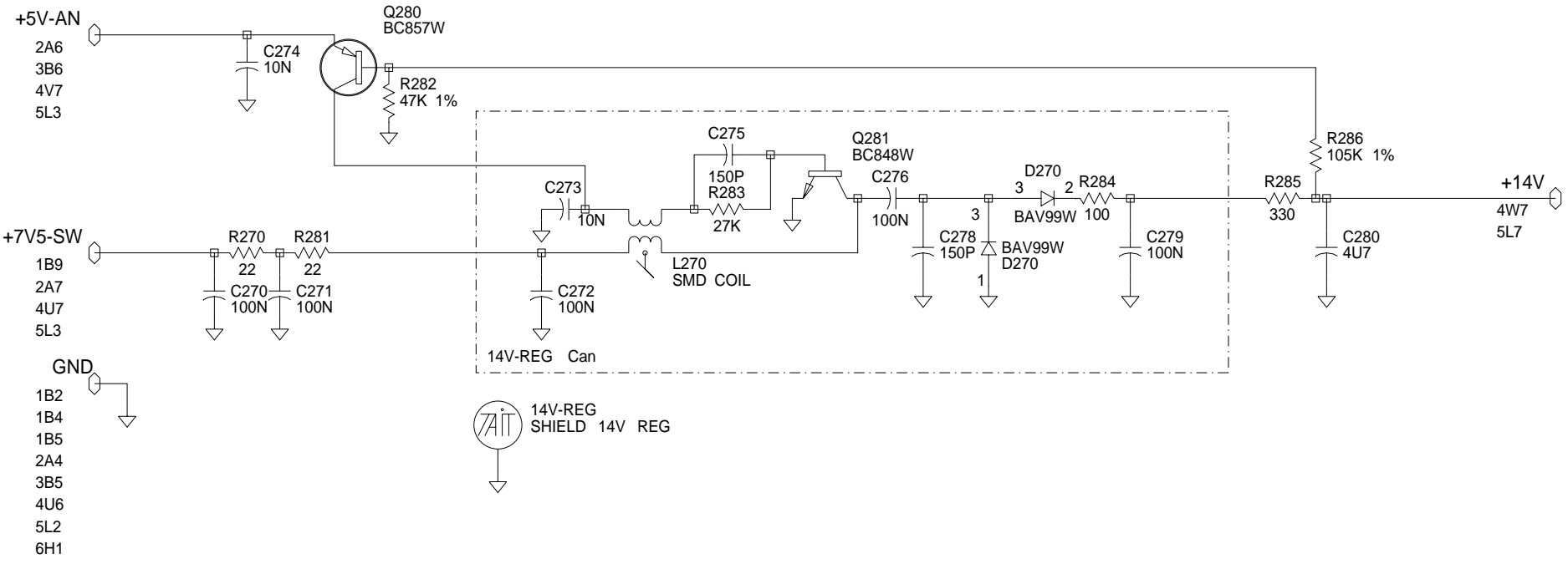
PROJECT: ORCA DESIGNER: BRD/TS FILE NAME: 139207f FILE DATE: 21-Sep-99 NO.SHEETS: 7

REV/ISS	AMENDMENTS	DRAWN	CHKD	D.O.	APVD	DATE

- VCOTOP SHIELD VCO TOP
- VCOBOT SHIELD BOTM VCO
- GND
- 1B2
- 1B4
- 1B5
- 2A4
- 3B5
- 4U6
- 5L2
- 7C3



+14V Regulator (placed in the processor area)



© TAIT ELECTRONICS			
ORCA :TP010-5122		400-440MHZ	
+14V REGULATOR			
IPN:	ISSUE:	ID:	
220-01392-07	G	2.SC. 7	
PROJECT:	DESIGNER:	FILE NAME:	FILE DATE:
ORCA	BRD/TS	139207f	21-Sep-99
			NO.SHEETS:
			7

REV/ISS	AMENDMENTS		DRAWN	CHKD	D.O.	APVD	DATE
---------	------------	--	-------	------	------	------	------

A B C D E F G H J K L M